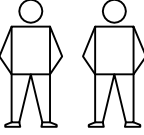
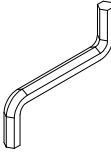
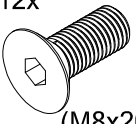

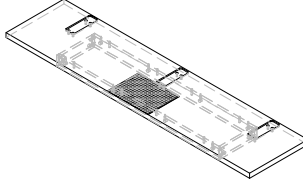
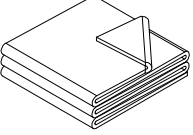
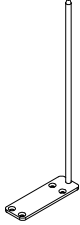
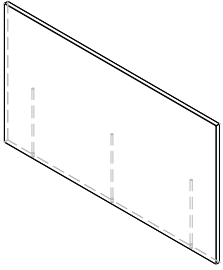
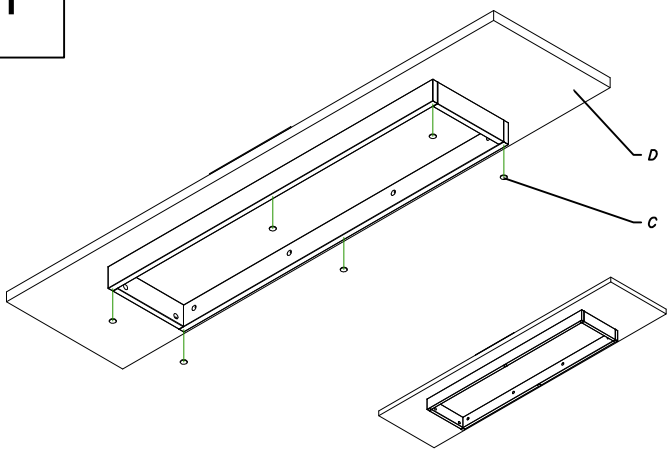


# ASSEMBLY INSTRUCTION L3

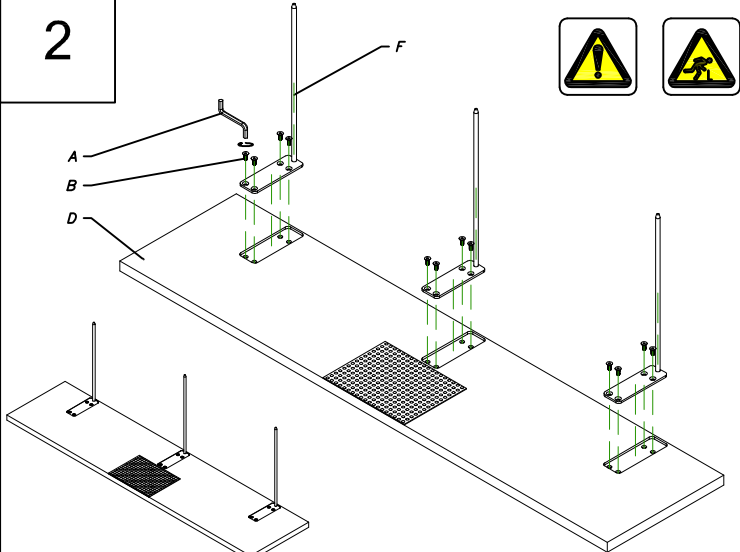
	<b>A</b> 1x 	<b>B</b> 12x  (M8x20)	<b>C</b> 6x 	<b>D</b> 1x 	<b>E</b> 1x 
--	---	---	---	--	---



<b>F</b> 3x 	<b>G</b> 1x 
---	---

**1**

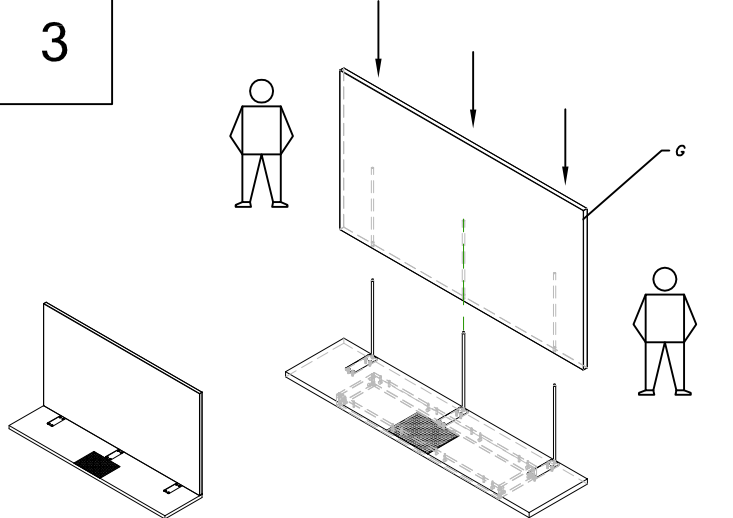


**2**

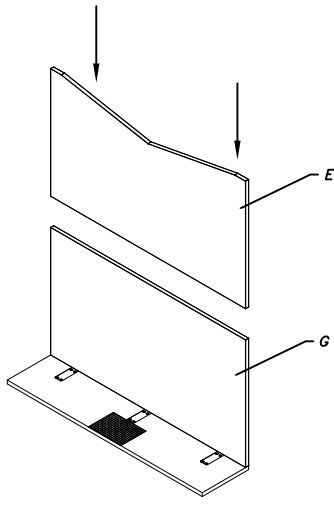


**3**



**4**



**5**

